

Specifications of the TWEezer-VAC™ AUTO-ON/OFF

VACUUM:

Up to 10 inches of mercury at sea level.

DIMENSIONS:

LENGTH HEIGHT WIDTH

7.25" (185mm) 2.5" (64mm) 3" (76mm)

WEIGHT:

1.7 LBS. (775 GRAMS)

POWER REQUIREMENTS:

Model No. TV-1000A-110 110 VOLTS A.C. 50/60 HERTZ 8 WATTS

Model No. TV-1000A-220 220 VOLTS A.C. 50/60 HERTZ 8 WATTS

THIS KIT INCLUDES:

- 5 feet of 1/16" coiled black permanent Polyurethane Static Dissipative hose.
- A set of nine vacuum tips.
- A push button vacuum pen (VVP-200).
- Rubber no-skid feet
- ESD ground connection is by three wire power cord.
- Produces vacuum of up to eight inches of mercury depending on sea level.

Hose color may vary. Vacuum hoses are available in straight or coiled custom lengths, please contact Virtual Industries to order (719) 572-5566. There are no returns or refunds on custom lengths.



Virtual Industries, Inc.
2130 Victor Place
Colorado Springs, CO 80915
U.S.A.

www.virtual-ii.com
info@virtual-ii.com
Phone: 719-572-5566
FAX: 719-572-5504

8:00 A.M. to 4:30 P.M. Mountain Standard Time



8/10/22

OPERATING INSTRUCTIONS AND SPECIFICATIONS

TWEezer-VAC™ AUTO-ON/OFF

Vacuum Tweezer – ESD Safe

Model No. TV-1000A-110
Model No. TV-1000A-220



Operation of the TWEEZER-VAC™ AUTO-ON/OFF

AUTO FEATURE

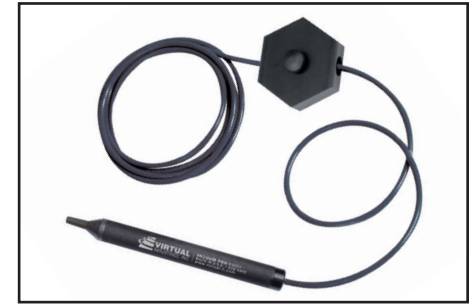
1. Connect the 3 wire TWEEZER-VAC™ AUTO-ON/OFF power cord to input power.
2. Place vacuum pen in the holder on right side of the TWEEZER-VAC™ AUTO-ON/OFF, the holder has an AUTO-ON/OFF sensor to turn on and off the TWEEZER-VAC™.
3. Turn the power switch to the AUTO position. The unit will be off, when you pick up the vacuum pen, power is on.
4. Select a probe with a vacuum cup that is slightly smaller in diameter to the outline of the parts that you want to pick and place. Securely install it on the tapered end of the vacuum pen tip. Selecting a vacuum cup that is too large or too small will result in improper operation.
5. To pick and place a part: Gently place the vacuum pen/vacuum cup on the top of the part that you wish to pick up. The part should now be firmly grasped by the vacuum cup.
6. Now move the part to where you want to use it. To release the part simply depress the button on the vacuum pen with your finger, the part should now be released.
7. Placing the vacuum pen in holder turns off power.
8. Remember to turn switch OFF when finished.



TWEEZER-VAC™ AUTO-ON/OFF OPTIONS

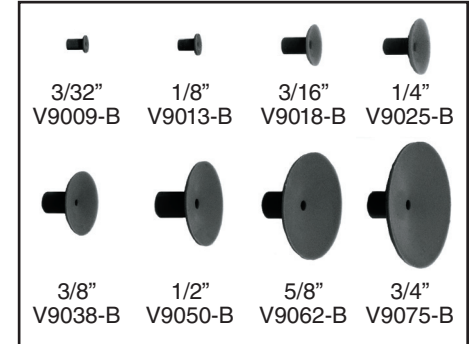
VACUUM INTERRUPTER P/N V3025

Facilitates precision placement of small parts. The hand that holds the wand is used to position and/or rotate the part being placed while the other hand makes or breaks the vacuum by pushing the button on the interrupter block.



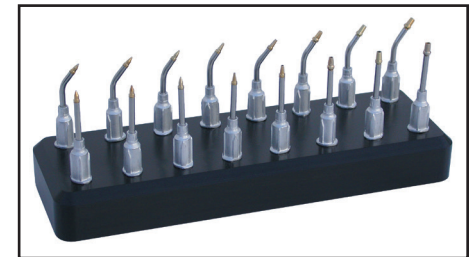
REPLACEMENT VACUUM CUPS KIT P/N V9000K8-B

ESD Safe Buna-N Static Dissipative non-marking vacuum cups are a soft rubber material that allow handling a wide variety of small parts. Selection of individual or kit form vacuum cups available.



ESD SAFE DELRIN DELUXE SMALL PARTS KIT P/N VSPT-KIT-16-D

Kit of sixteen bent and straight ESD Safe Delrin small parts tips in the range of VSTP1005 to VSPT8060 with tip holder p/n VTH-16.



VACUUM TIPS HOLDER P/N VTH-16

Table top luer slip vacuum tips holder with non-slip rubber feet. Posts will accommodate up to sixteen of our luer slip vacuum tips.



VACUUM TIPS HOLDER P/N VTH-8

Posts will accommodate up to eight of our luer slip vacuum tips.